

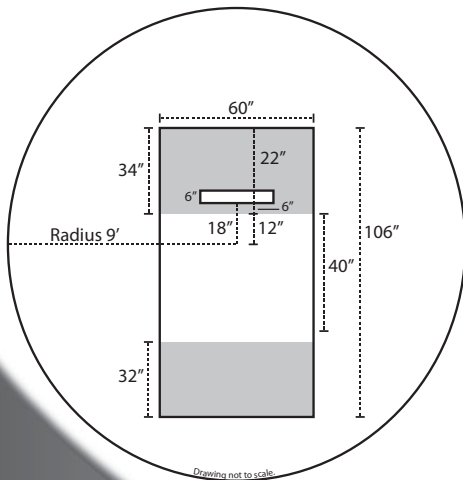


TRIPLE PLAY MOUND & HOME PLATE KIT

Triple Play Mound & Home Plate Kit™ is an all inclusive Mound and Home Plate repair and renovation package. It contains enough material to renovate a full size mound, both batters boxes, and the catcher's box.

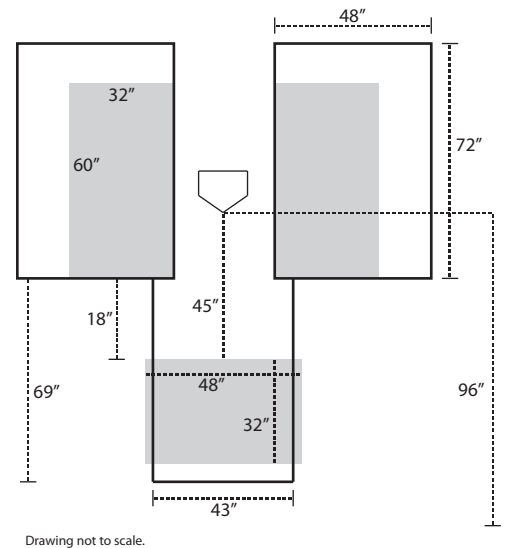
Triple Play Mound & Home Plate Kit™ gives each level of groundskeeper an alternative to repairing their high maintenance areas easily. It comes with enough unfired bricks, mound clay, and conditioner to do a full sized mound, both batters boxes, and your catcher's box. It is exceptional when used to repair, rebuild, and construct your field's pitcher's mound, batter's boxes, and catcher's box.

| Grey Area - High Stress ONLY | | | # of Mound Clay Bags | | |
|---|-----------|------------|--|-----------|------------|
| Area | Size | Bricks | 2" | 4" | 6" |
| Table | 34" x 60" | 60 | 7.5 | 15 | 22.5 |
| Landing Area | 32" x 60" | 60 | 7 | 14 | 21 |
| Batter's Boxes* | 32" x 60" | 120 | 14 | 28 | 42 |
| Catcher's Box | 32" x 48" | 40 | 5.5 | 11 | 16.5 |
| Total | | 280 | 34 | 68 | 102 |
| All quantities are approximate. * Numbers of bricks and bags are for both boxes. | | | Specifications: 1 Bag = 9 sq. ft. x 1" deep 1 Brick = 4" x 8" x 2.5" | | |



Each Kit Includes:

- 275 Unfired Clay Bricks
- 10 Bags of Triple Play Mound Clay (50 lb each)
- 10 Bags of Triple Play Red Infield Conditioner (50 lb each)
- Total Weight: 2800 lbs.



VALLEY ATHLETIC FIELD SOLUTIONS, INC.
PO Box 487 | TROUTDALE, OR | 97060
TF 866.397.0497 | FX 503.487.1612

INFO@VALLEYAFS.COM | WWW.VALLEYAFS.COM

