



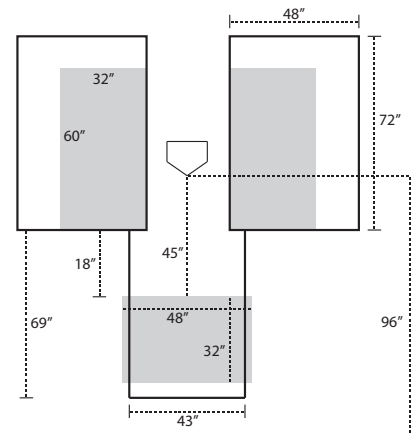
TRIPLE PLAY PROFESSIONAL MOUND CLAY

Triple Play Professional Mound Clay™ is a elite red packing clay that has been specifically designed to withstand the stress of high traffic areas and players "digging in." It is exceptional when used to repair, rebuild, and construct a field's pitching mound, batter's boxes, and catcher's box.

The design philosophy behind using **mound clay** to build your high stress areas is to increase Longevity, increase Durability, and increase Compaction.

Dark red in color, **Triple Play Professional Mound Clay™** gives high stress areas the durability that professional groundskeepers require. Though it has been designed to meet the performance standards of elite programs, this material easily tamps into holes, provides greater durability, and reduces maintenance for all levels of play. In addition to being a mound material, Mound Clay can be used to firm up the high stress areas of your infield.

Grey Area - High Stress ONLY		# of Mound Clay Bags		
Area	Size	2"	4"	6"
Table	34" x 60"	7.5	15	22.5
Landing Area	32" x 60"	7	14	21
Batter's Boxes*	32" x 60"	14	28	42
Catcher's Box	32" x 48"	5.5	11	16.5
Total		34	68	102
All quantities are approximate. * Numbers of bags are for both boxes.		Specifications: 1 Bag = 9 sq. ft. x 1" deep		

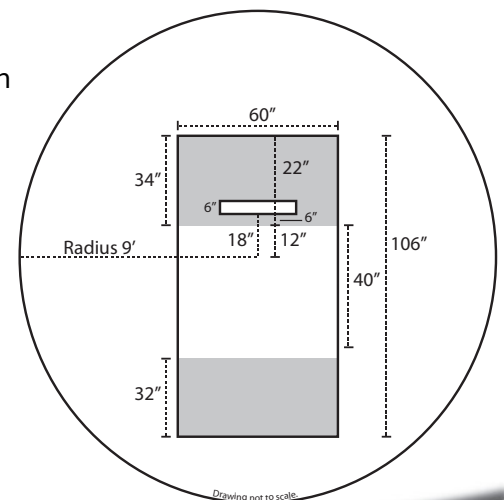


Drawing not to scale.

Specifications: **Color:** Dark Red
Weight: 64 pounds per cubic foot (Dry) = 1.15 Yards:1 Ton
Volume: 1 Bag = 50 lbs = .78 Cubic Foot

Availability: **Bags:** 50 lbs. each, 40 bags per Pallet
Bulk: 5, 10 , 15, 24 and 30 Ton Bulk Truckloads

Coverage Rates: 1 Bag = 9.25 sq ft at 1" deep
 2.65 Cubic Yards (2.35 tons) will cover
 1000 sq. ft 1" deep.



Drawing not to scale.

VALLEY ATHLETIC FIELD SOLUTIONS, INC.
 PO Box 487 | TROUTDALE, OR | 97060
 TF 866.397.0497 | FX 503.487.1612

INFO@VALLEYAFS.COM | WWW.VALLEYAFS.COM

