



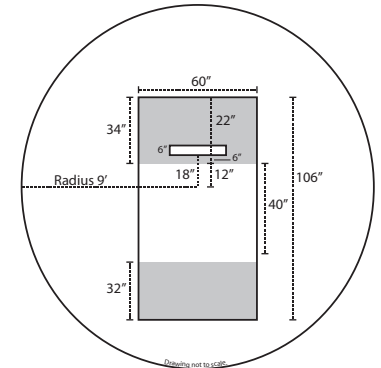
DIAMOND SELECT NATURAL MOUND CLAY

Diamond Select Natural Mound Clay™ is a mid-level blend of clay that has been designed the stress of high traffic areas such as your pitchers mound. This product will add durability and strength to your soil, easily bind and conform to existing surfaces, and enhance your mounds level of play.

The design philosophy behind using **mound clay** to build your high stress areas is to increase Longevity, increase Durability, and increase Compaction.

Diamond Select Natural Mound Clay™ gives coaches on a budget the durability that pitchers and batters require. This material has been designed to meet the performance standards of youth programs and high schools. **Diamond Select Natural Mound Clay™** easily tamps into holes, provides greater durability and reduces maintenance. It is a cheap option used to repair, rebuild, and construct your fields pitcher's mound, batter's boxes, and catcher's box. It can also be used to firm up the high stress areas of your infield.

Grey Area - High Stress ONLY		# of Mound Clay Bags		
Area	Size	2"	4"	6"
Table	34" x 60"	7.5	15	22.5
Landing Area	32" x 60"	7	14	21
Batter's Boxes*	32" x 60"	14	28	42
Catcher's Box	32" x 48"	5.5	11	16.5
Total		34	68	102
All quantities are approximate. * Numbers of bags are for both boxes.		Specifications: 1 Bag = 9 sq. ft. x 1" deep		



Specifications:

Color: Red-Brown

Weight: 65 pounds per cubic foot (Dry) = 1.15 Yards:1 Ton

Volume: 1 Bag = 50 lbs = .71 Cubic Foot

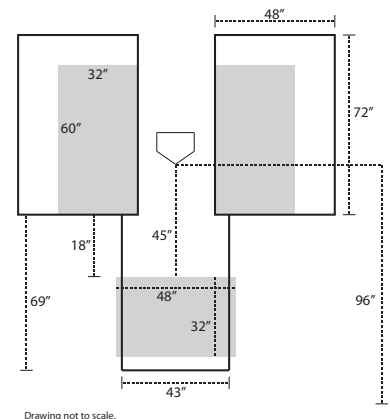
Availability:

Bags: 50 lbs. each, 40 bags per Pallet

Bulk: 5, 10 , 15, 24 and 30 Ton Bulk Truckloads

Coverage Rates:

1 Bag = 9.25 sq ft at 1" deep
3.5 Cubic Yards (3.2 tons) will cover
1000 sq. ft 1" deep.



VALLEY ATHLETICS | TF 866.397.0497 | INFO@VALLEYAFS.COM
WWW.VALLEYAFS.COM

